

MV-LOGIXD-SAF

5 MP IP IR Motorized Vandal Dome Camera

MV-LOGIXD-SAF Lens 5MP IP IR Dome

Camera offers advanced surveillance capabilities with features like motorized lens adjustment, high-resolution imaging Smart IR technology, triple-stream capability, and VCA support. It includes an SD card slot for storage, alarm and audio functionality, and durable construction rated IP67 and IK10. With intelligent features, smart analytics, network connectivity, and robust environmental specifications, it provides reliable surveillance in various conditions.



FEATURES AND BENEFITS



**Up to 2882x1620
@30fps**



**IR Distance Up
to 50 Mts**



Metal



**Slot up to
256GB**



**Motorized
Lens 2.8-12mm**



**H.265+/H.265/H.264
Video Compressions**



IP67



**Min. illumination Color
0.004lux @ F1.6**

SPECIFICATIONS

| VIDEO | |
|---------------------------|---|
| Imaging Device | 1/2.7" |
| Effective Pixels | 5MP 2880(H)×1620(V) |
| Scanning System | Progressive CMOS |
| Min. Illumination | Color 0.004lux @ F1.6(AGC ON); B/W 0 lux @ IR ON |
| LENS TYPE | |
| Focal Length (Zoom Ratio) | 2.8-12 mm |
| Max. Aperture Ratio | F No. 1.8 (W) ~ 3.3(T) |
| Angular Field of View | Horizontal: 107-34°, Vertical: 55-19°, Diagonal: 134-38° |
| Min. Object Distance | 0.2M-INF |
| Lens Type | Motorized(Ø14) |
| DORI | (2.8mm) D-56.0m, O-22.4m, R-11.2m, I-5.6m (12mm) D-240m, O-96.0m, R-48.0m, I-24.0m |



| OPERATIONAL | |
|--------------------------|--|
| IR Viewable Length | Up to 50m |
| Camera Title | On/Off |
| Day & Night | IR cut filter with auto switch (Day/Night/Auto/Image/Schedule) |
| Backlight Compensation | Off/On (5 Zone) |
| Wide Dynamic Range | True WDR |
| Digital Noise Reduction | 3D DNR |
| Motion Detection | Off/On (8 Level) |
| Privacy Masking | Off/On (4 Zone, Rectangle) |
| Gain Control | Auto |
| White Balance | Auto / Manual |
| Electronic Shutter Speed | 1/5 ~ 1/20000s |
| On-Board Storage | Micro SD slot, up to 256GB |
| Alarm | 1 input, 1 output |
| Audio | 1 input (RCA), 1 output (RCA) |
| Hardware Reset | Yes |
| Smart Feature | Face Detection (FD), Human & Vehicle Detection (PD & VD), Perimeter Intrusion Detection (PID), Line Crossing Detection (LCD), Cross Counting (CC), Stationary Object Detection (SOD), Heat Map (HM), Crowd Density Detection (CD), Queue Length Detection (QD), Rare Sound Detection (RSD) |

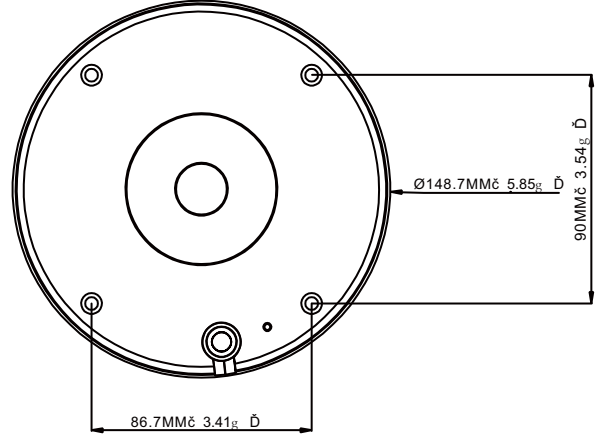
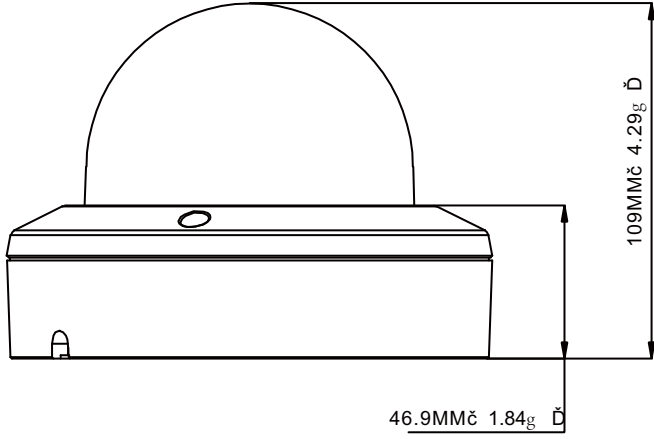
| NETWORK | |
|-----------------------------------|---|
| Ethernet | RJ45(10/100BASE-T) |
| Video Compression Format | H.265+/H.265/H.264 |
| Resolution | Main stream@30fps 5MP (2880x1620), 4MP (2560x1440), 3MP (2304x1296), 1080P (1920x1080) 720P (1280x720) Sub stream@30fps 720P (1280x720), VGA (640x480), QVGA (320x240) Third stream@30fps VGA (640x480), QVGA (320x240) |
| Video Quality Adjustment | 256Kbps ~ 8Mbps |
| Bitrate control method | CBR/VBR |
| Streaming Capability | Triple-Stream(Main/Sub/Third) |
| Protocol | TCP/IP, ICMP, HTTP, HTTPS, FTP, DHCP, DNS, DDNS, RTSP, NTP, UPnP, SMTP, IGMP, 802.1X, IPv4, IPv6, UDP, SSL/TLS, PPPoE, SNMP, SFTP |
| Web browser | IE10/11, Safari V12.1 above, Firefox V.52 above, Google chrome V.57 above, Edge V.79 above |
| Security | IP address filter; complicated password; Authenticated username and password |
| Streaming Method | Unicast/Multicast |
| Application Programming Interface | ONVIF(Profile S/G/T) |

| ELECTRICAL | |
|----------------------------|-----------------------|
| Input Voltage / Current | D12V/POE(IEEE802.3af) |
| Power Consumption (IR OFF) | 3W-4W |
| (IR ON) | 5W-7W |

| MECHANICAL | |
|--------------------|-----------|
| Material | Metal |
| Dimensions (HxWxD) | 150*109mm |
| Weight | 972g |

| ENVIRONMENTAL | |
|----------------------|------------------------------|
| Operating Conditions | -35~+60°C/less than ≤ 95% RH |
| Ingress Protection | IP 67, IK 10 |
| Certificate | CE,FCC,ROHS,BIS,ISO 9001 |

DIMENSION



For more information,

www.Logixsafety.com

Call: +91-9971473554

Email: Logixsafety@gmail.com

LOGIX SAFETY ENGINEER

Vatika tower Golf course road
Sector 54, Gurugram, Haryana 122011

Gurgaon - 122 002.

